



RS Series Passive Infrared (PIR) Application-Specific Wall Switch Vacancy Sensors



PROJECT
LOCATION/TYPE

Product Overview

Description

Watt Stopper/Legrand's application-specific wall switch vacancy sensors are designed to replace standard wall switches. They are engineered to comply with California's rigorous Title 24-2005 residential energy code.

Operation

Wall switch vacancy sensors use advanced PIR technology to sense the difference between infrared energy from a person in motion and the background space. The sensors automatically turn lights off after a space becomes vacant and a preset time delay elapses. The switches provide manual-ON operation. Users can manually turn lights on or off at any time by operating the ON/OFF button.

Optional Nightlight

The RS-150BA-N incorporates a nightlight that illuminates whenever lights are off. The nightlight uses LED technology that consumes only a marginal amount of energy.

Applications

Application specific vacancy sensors require no adjustments to operate in the particular application for which they are designed. They are ideal for bathroom and bedroom applications, with an optional nightlight-equipped model, RS-150BA-N, for areas that receive nighttime traffic.

The sensors are quick and easy to install, will help homeowners lower their energy bills and are compliant with California Title 24.

Features

- Replaces a standard light or fan single-pole switch
- No leakage to load in OFF mode for safety
- Low-profile styling with uniform color-matched lens and device
- Manual-ON operation
- Fixed 30-minute time delay, no adjustment necessary
- Lighted switch for visibility in darkened rooms
- Choice of three decorator colors
- Works with most common residential lighting types
- California Title 24 compliant
- Amber LED nightlight option illuminates whenever overhead lights are off (RS-150BA-N)

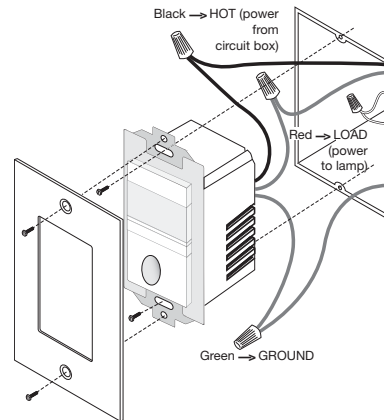


Specifications

- 120 VAC, 60 Hz
- Load requirements: RS-100BA, 25-500W incandescent; RS-150BA and RS-150BA-N, 0-600W incandescent, fluorescent, compact fluorescent (CFL), magnetic low voltage (MLV) and electronic low voltage (ELV), 1/6 hp
- Neutral required (RS-150BA & RS-150BA-N)
- Coverage: 180°, max.600 ft² (56m²)
- 2.63" x 1.69" x 1.88" (67.8mm x 42.9mm x 47.8mm) L x W x D
- UL and CUL listed; five-year warranty

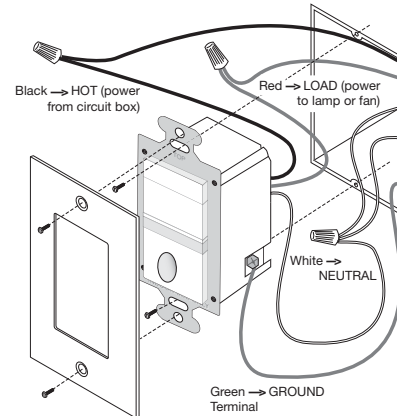
Installation & Wiring

Wiring Without Neutral



Wiring for the RS-100BA does not require a neutral.

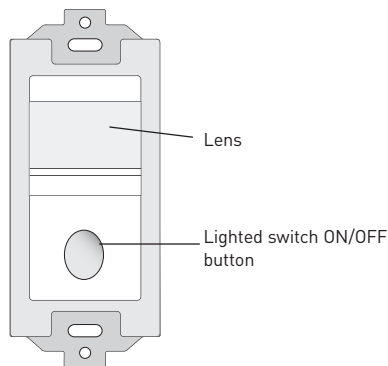
Wiring With Neutral



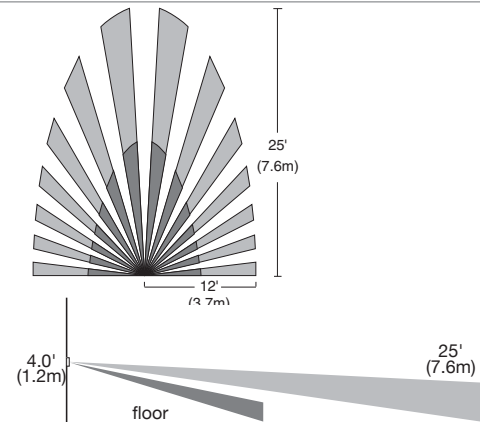
Wiring for the RS-150BA and RS-150BA-N models requires a neutral.

Controls & Coverage

Controls



Coverage



Ordering Information

Catalog No.	Color	Special Features	Voltage	Load Requirement	Coverage
<input type="checkbox"/> RS-100BA-W	White		120 VAC, 60 Hz	25-500W incandescent	180°, max.600 ft ² (56m ²)
<input type="checkbox"/> RS-100BA-I	Ivory				
<input type="checkbox"/> RS-100BA-LA	Lt. Almond				
<input type="checkbox"/> RS-100BA-B	Black				
<input type="checkbox"/> RS-150BA-W	White			0-600W incandescent, fluorescent, CFL, MLV and ELV, 1/6 hp	
<input type="checkbox"/> RS-150BA-I	Ivory				
<input type="checkbox"/> RS-150BA-LA	Lt. Almond				
<input type="checkbox"/> RS-150BA-B	Black				
<input type="checkbox"/> RS-150BA-N-W	White			Nightlight	
<input type="checkbox"/> RS-150BA-N-I	Ivory				
<input type="checkbox"/> RS-150BA-N-LA	Lt. Almond				
<input type="checkbox"/> RS-150BA-N-B	Black				

One ASP-211 single-gang cover plate included. Order ASP-422 for blank two-gang cover plate, ASP-432 for two-gang cover plate with switch option.